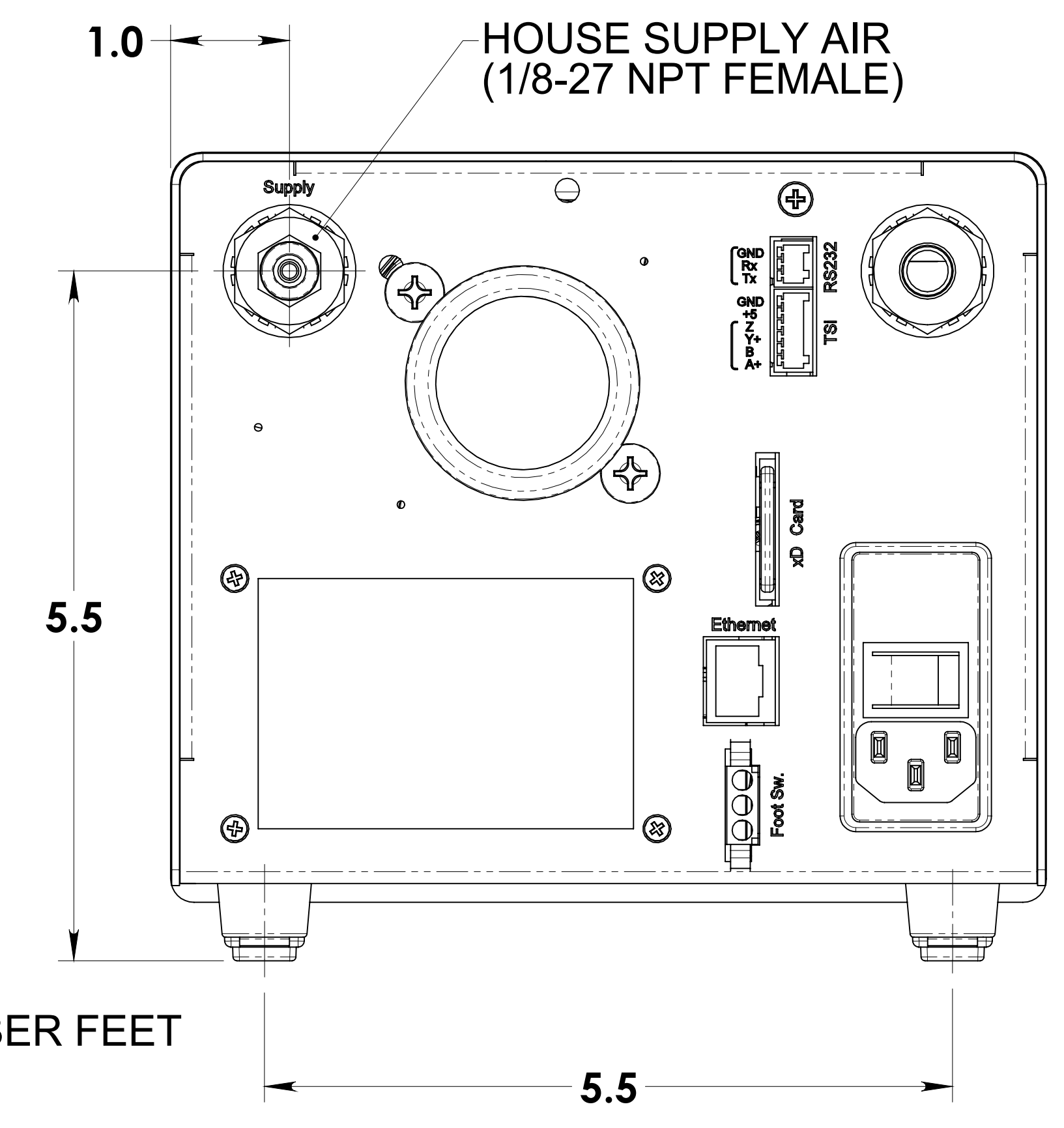
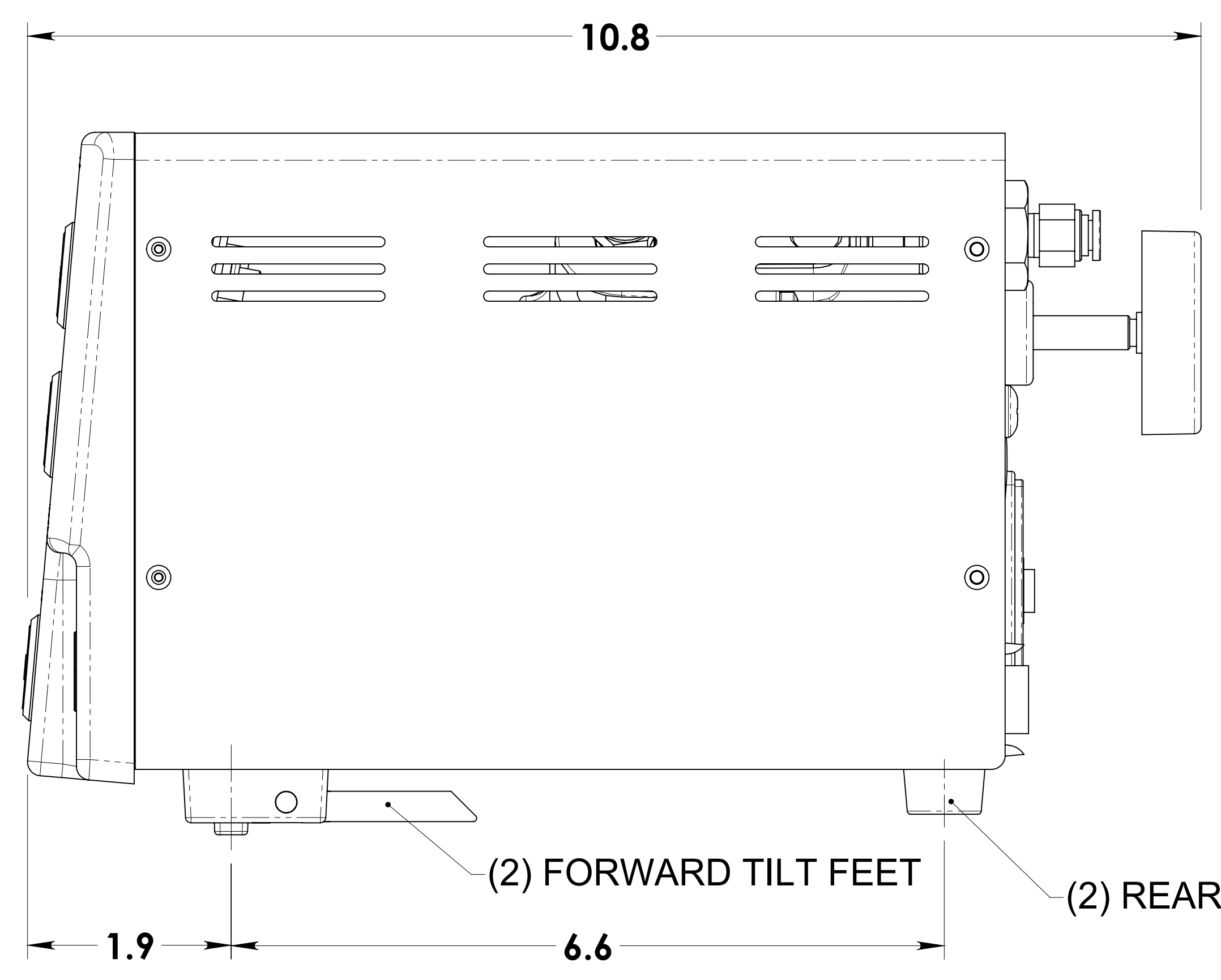
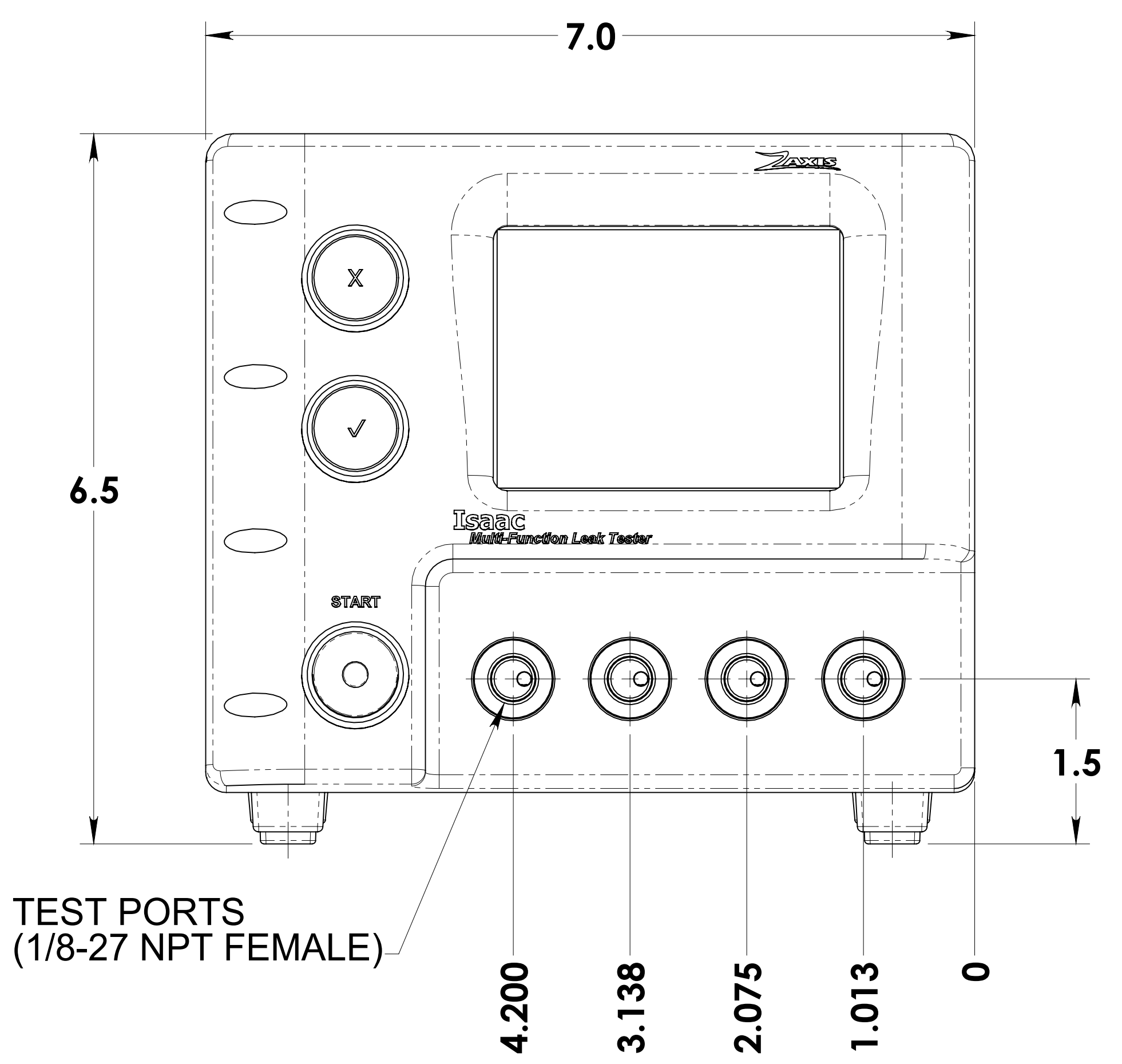


REVISIONS				
ZONE	REV.	DESCRIPTION	DATE	APPROVED
1	-	Originate and Release	<Date>	



## Isaac Leak Tester, Physical Dimensions

Notes: Unless Otherwise Specified  
 1. All dimensions are in inches.

UNLESS OTHERWISE SPECIFIED: DIMENSIONS ARE IN INCHES		NAME	DATE	Isaac Physical Dimensions
TOLERANCES: FRACTIONAL ± 1/32 ANGULAR: MACH ± 1° BEND ± TWO PLACE DECIMAL ± .010 THREE PLACE DECIMAL ± .005		DRAWN BY: Chris H. Jensen	7-20-06	
INTERPRET GEOMETRIC TOLERANCING PER:		COMMENTS:		 79 W. 4500 S. Unit #21 Salt Lake City, UT, 84107 Phone (801) 264-1000, Fax (801) 265-8413 www.zaxisinc.com
MATERIAL: 6061		G.A.		
NEXT ASSY	USED ON	FINISH	125 µin.	SIZE <b>D</b> DWG. NO. ISC-ZA010-1 SCALE: 1:1 WEIGHT: SHEET 1 OF 1
APPLICATION		DO NOT SCALE DRAWING		PROPRIETARY AND CONFIDENTIAL THE INFORMATION CONTAINED IN THIS DRAWING IS THE SOLE PROPERTY OF ZAXIS. ANY REPRODUCTION IN PART OR AS A WHOLE WITHOUT THE WRITTEN PERMISSION OF ZAXIS IS PROHIBITED.